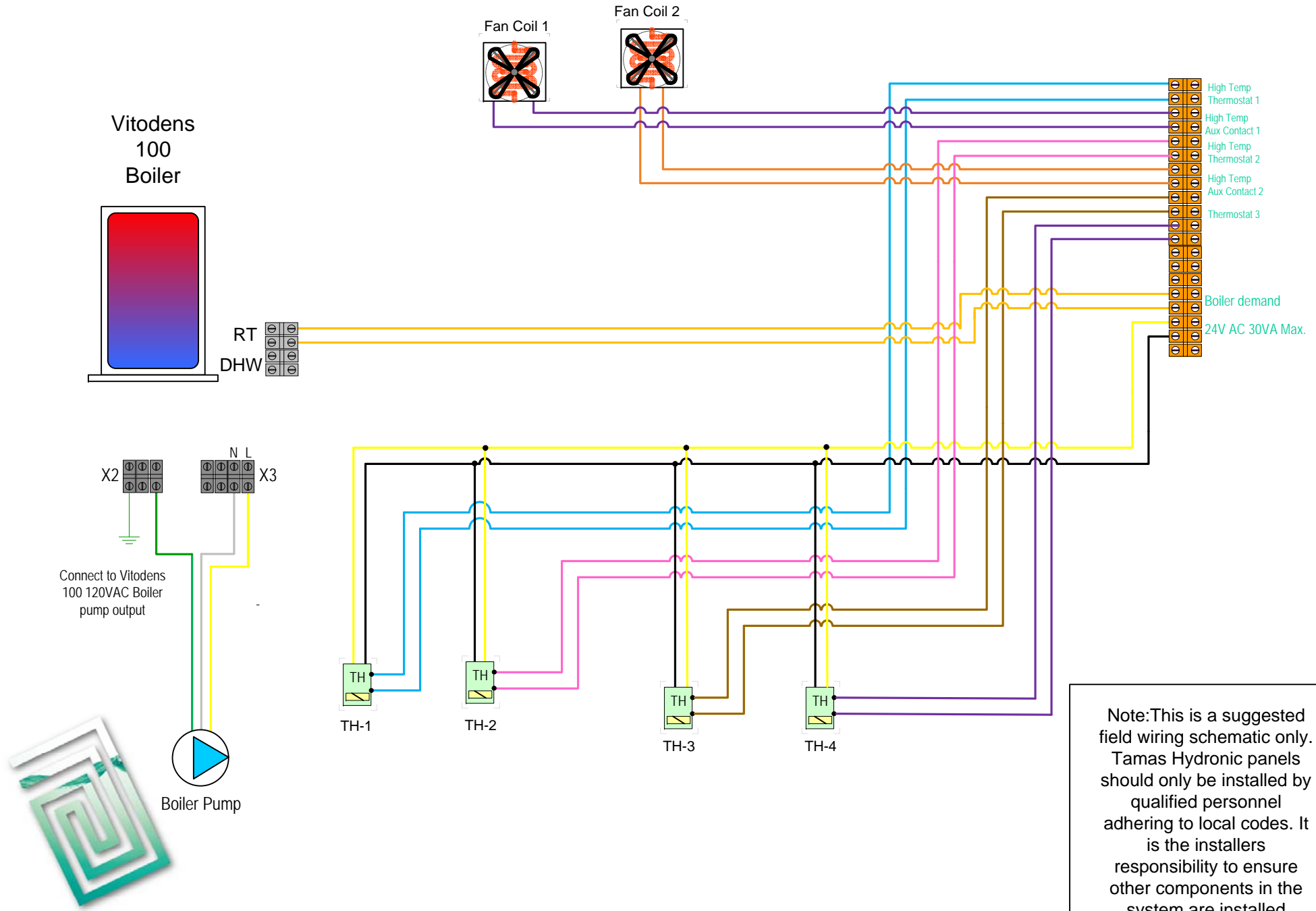


# Field Wiring for T-BO-VO-1220-TMV AUX



Note: This is a suggested field wiring schematic only. Tamas Hydronic panels should only be installed by qualified personnel adhering to local codes. It is the installers responsibility to ensure other components in the system are installed correctly.